



UPHOLDING A VISION.

# tvmount

Product Number:  
DSN13220CL

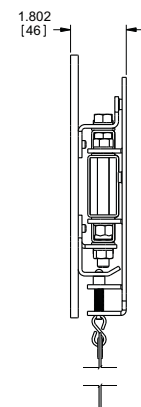
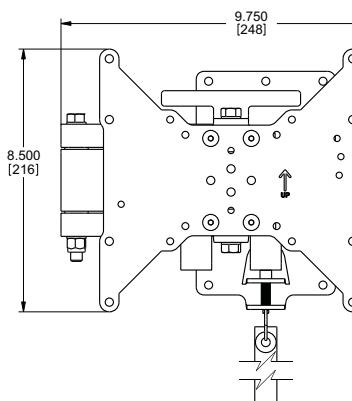
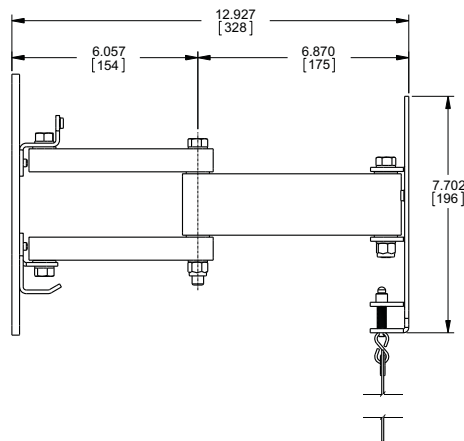
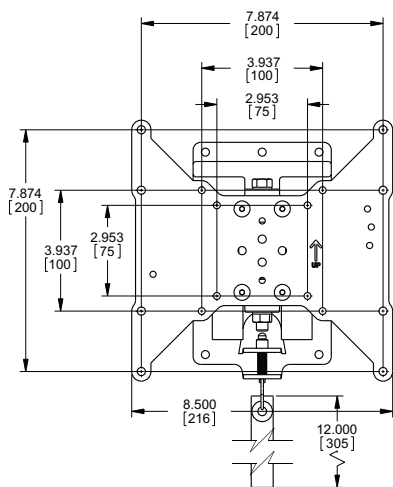
# doubleswing

Supports Flat Panels up to 42" or 40 lbs.



## Product features:

- Double Swing and Pan combination offers many viewing angles
- Left and Right locking positions allows for greater mounting location versatility
- Lightweight and affordable design
- Wide mounting footprint to minimize mounting surface load



## Product specifications:

Model: DSN13220CL

	ENGLISH	(METRIC)
COMMON SCREEN SIZES:	19"-42"	(28.2 cm - 106.7 cm)
MAX LOAD:	40 lbs	(18.1 kg)
HOLE PATTERN RANGE: (VESA)	3 X 3", 4 X 4", 4 X 7-7/8"	(75 X 75mm, 100 X 100mm, 100 X 200mm)
DIMENSIONS:	9-3/4" W X 8-1/2" H X 1-3/4" D	(24.8 W X 21.6 H X 4.4 D cm)
SHIPPING WEIGHT:	4.0 lbs	(1.8 kg)

**One Year Warranty - Minimal Assembly Required  
Designed, Engineered, and Manufactured in USA**



pan



52965 Frederick Dr. • Elkhart • Indiana • 46514

574.266.1455

www.moview.com