



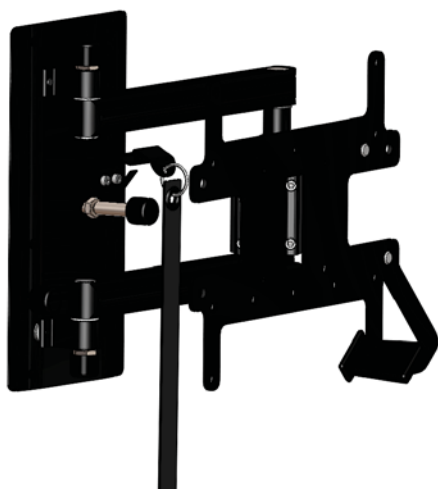
UPHOLDING A VISION.

tvmount

Product Number:
MDSL-FQD

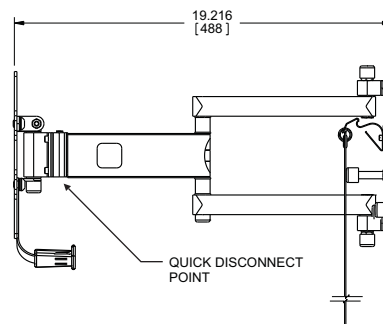
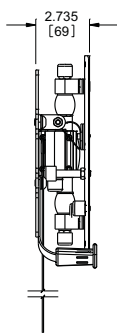
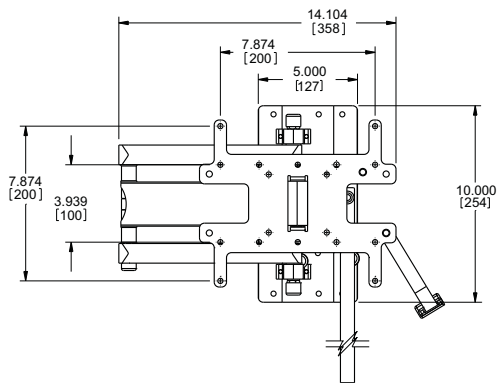
doubleswing withlock

Supports Flat Panels up to 37" or 30 lbs.



Product features:

- Wide variety of standard VESA patterns accepted to accommodate most flat panel displays
- Secure storage latch and compression bumpers or mobile applications
- Perfect for RV and Marine applications!
- Compact preassembled design for a simple installation
- Wide angle 180° + pan on a 19.000" extendable armature for versatile viewing angles
- Quick Disconnect feature allows you to easily move your display from one location to another



Product specifications:

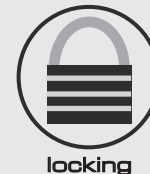
Model: MDSL-FQD

**One Year Warranty - No Assembly Required
Designed, Engineered, and Manufactured in USA**

	ENGLISH	(METRIC)
COMMON SCREEN SIZES:	23"-37"	(58.4cm - 94.0cm)
MAX LOAD:	30lbs	(13.6kg)
HOLE PATTERN RANGE: (VESA)	3" X 3", 4" X 4", 4 X 7-7/8", 7-7/8 X 7-7/8"	(75 X 75mm, 100 X 100mm 100 X 200mm, 200 X 200mm)
DIMENSIONS:	14-1/16" W X 10" H X 2-7/8" D	(35.9 W X 25.4 H X 7.3 D cm)
SHIPPING WEIGHT:	8.7lbs	(3.9kg)



pan



locking



52965 Frederick Dr. • Elkhart • Indiana • 46514

574.266.1455

www.moview.com