

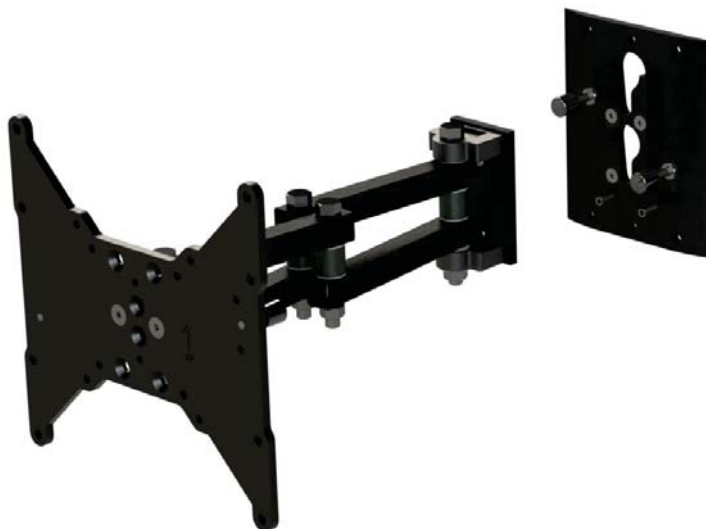


**moview**  
UPHOLDING A VISION.

# tvmount mediumscissor

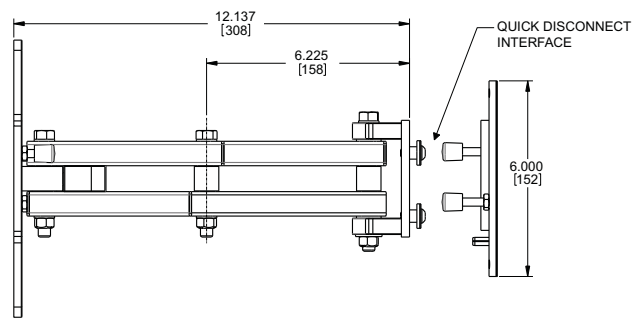
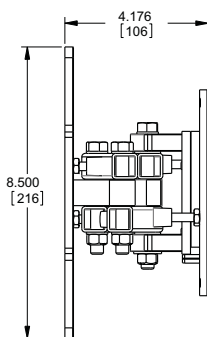
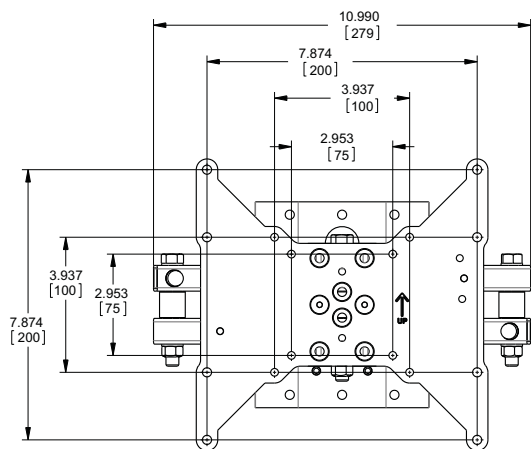
Product Number:  
MSCSL12-QD

Supports Flat Panels up to 42" or 40 lbs.



## Product features:

- Scissor offers many combinations of swing/pan/extension options for nearly limitless viewing angles
- Center latch design offers stable closed position for travel
- Easy On and Off Quick Disconnect interface
- Wide mounting footprint to maximize surface load
- Variety of VESA adaptor kits for larger VESA patterns available



## Product specifications:

Model: MSCSL12-QD

	ENGLISH	(METRIC)
COMMON SCREEN SIZES:	19"-42"	(48.3 cm - 106.8 cm)
MAX LOAD:	40 lbs	(18.1 kg)
HOLE PATTERN RANGE: (VESA)	3 X 3", 4 X 4", 4 X 7-7/8"	(75 X 75mm, 100 X 100mm, 100 X 200mm)
DIMENSIONS:	11" W X 8-1/2" H X 4-1/8" D	(27.9 W X 21.6 H X 10.5 D cm)
SHIPPING WEIGHT:	3.7 lbs	(1.7 kg)

**One Year Warranty - No Assembly Required**  
**Designed, Engineered, and Manufactured in USA**



locking



pan



52965 Frederick Dr. • Elkhart • Indiana • 46514

574.266.1455

www.moview.com