

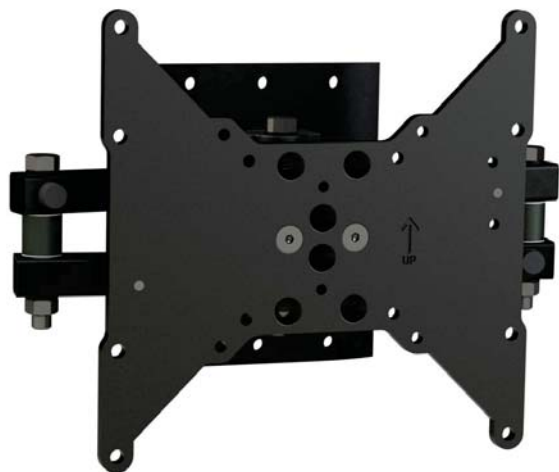


**moview**  
UPHOLDING A VISION.

# tvmount mediumscissor

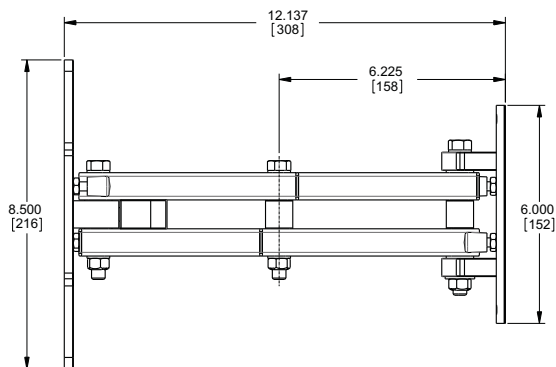
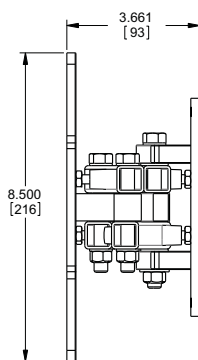
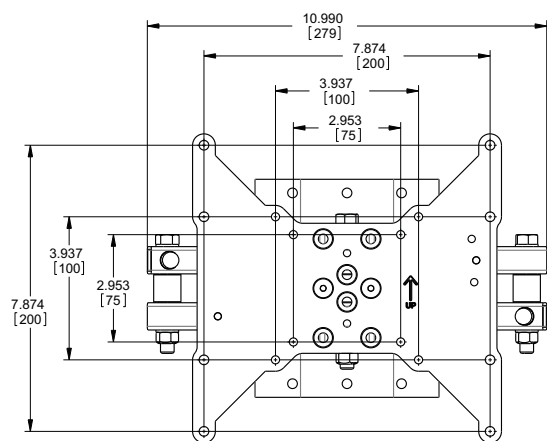
Product Number:  
MSCSL12

Supports Flat Panels up to 42" or 40 lbs.



## Product features:

- Non-drift positioning, even at maximum loading
- Scissor design with positive locking bumper
- Smooth telescopic motion with pan feature
- Variety of VESA adaptor kits for larger VESA patterns available



## Product specifications:

Model: MSCSL12

	ENGLISH	(METRIC)
COMMON SCREEN SIZES:	19"-42"	(48.3 cm - 106.8 cm)
MAX LOAD:	40 lbs	(18.1 kg)
HOLE PATTERN RANGE: (VESA)	3 X 3", 4 X 4", 4 X 7-7/8", 7-7/8 X 7-7/8"	(75 X 75mm, 100 X 100mm, 100 X 200mm, 200 X 200mm)
DIMENSIONS:	11" W X 6" H X 3-5/8" D	(27.9 W X 15.2 H X 9.33 D cm)
SHIPPING WEIGHT:	3.4 lbs	(1.5 kg)

**One Year Warranty - No Assembly Required**  
**Designed, Engineered, and Manufactured in USA**



locking



pan



52965 Frederick Dr. • Elkhart • Indiana • 46514

574.266.1455

www.moview.com